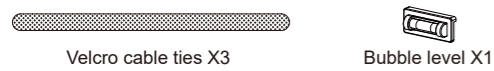
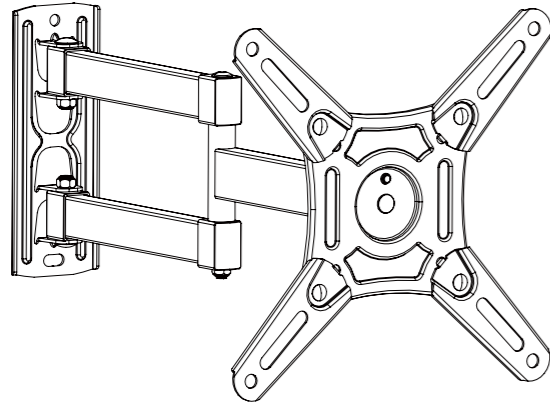


INSTALLATION INSTRUCTION

v7



Max: 200x200mm / 8x8"
Min: 75x75mm / 3x3"

MU-3BC-M US1

If you have any questions, please feel free to contact us via Amazon.

Warm Tips
You could also refer to the Video Guide about installation on our product page.

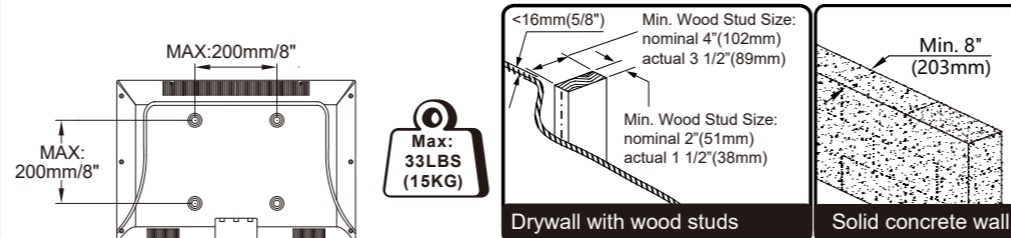
Safety Caution

Please read this instruction carefully before installation. If you do not understand these instructions or have doubts about the safety of the installation, assembly or use of this product, please contact us.

- This product is designed for use in wood stud and solid concrete wall.
 - **DO NOT install into drywall alone.**
- The wall must be capable of supporting five times the weight of the TV and mount combined.
- Incorrect installation may result in product damage or body injury.

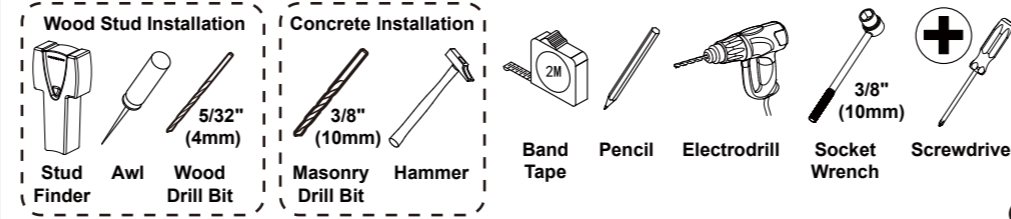
WARNING: This product contains small items that could be a choking hazard if swallowed. Before starting assembly, verify all parts are included and undamaged. For parts shortage or damage, please contact us.

Must Check Before Getting Started



CAUTION: DO NOT install into drywall alone.

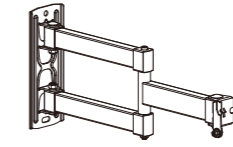
Installation Tools (Not Included)



1

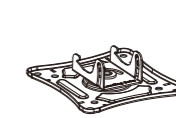
Hardware Included

Arm and Wall Plate



01 x1

Monitor Plate







02 x1

Extenders






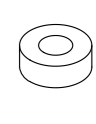


03 x4

Hardware (Wall/Product)

Lag Bolts ST6.3 x 60mm	Open-end wrench	Nuts	Bolts
			
x2	x1	x4	x4
A	B	C	D

TV Screws / Washers

Philips Screws M4 x 12mm M4 x 30mm	Philips Screws M6 x 15mm M6 x 30mm	Philips Screws M8 x 25mm	Spacers L10mm	Washers Ø6mm M4-5-6	Spacers L5mm
					
x4	x4	x4	x4	x4	x4
M-A	M-B	M-C	M-D	M-E	M-F

2

Step 1-1 Select TV screw diameter

Thread screws by hand into the threaded holes on the back of your TV to select which screw diameter fits your TV.



Step 1-2 Select TV screw length

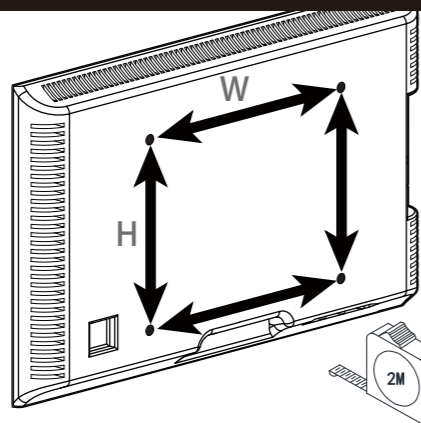
Warning: When attaching brackets to the flat screen, be careful not to over tighten screws and be sure that screws do not bottom out in the mounting holes.



Step 2 Measure your TV pattern

Measure and note the width and the height of the square or rectangle formed from the VESA holes pattern.

- 75mm ≈ 3in.
- 100mm ≈ 4in.
- 150mm ≈ 6in.
- 200mm ≈ 8in.

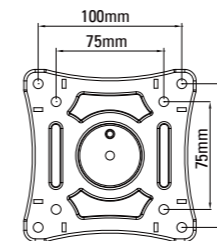


3

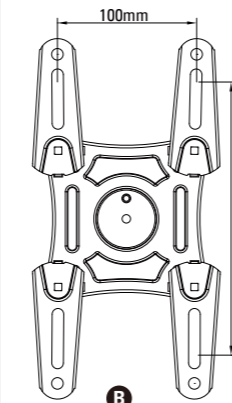
Step 3-1 Select monitor plate configuration

Select the configuration A, B, C, or D to use based on the measurement from step 2.

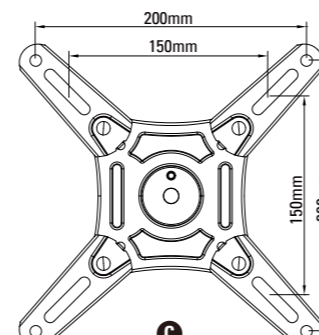
VESA Pattern (WxH)	Configuration	VESA Pattern (WxH)	Configuration
75mm x 75mm	A	150mm x 150mm	C
100mm x 100mm	A	200mm x 100mm	D
100mm x 200mm	B	200mm x 200mm	C



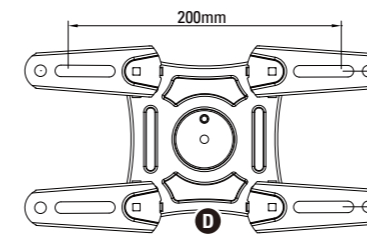
A
for VESA hole pattern:
75x75mm, 100x100mm.



B
for VESA hole pattern:
100x200mm



C
for VESA hole pattern:
150x150mm, 200x200mm

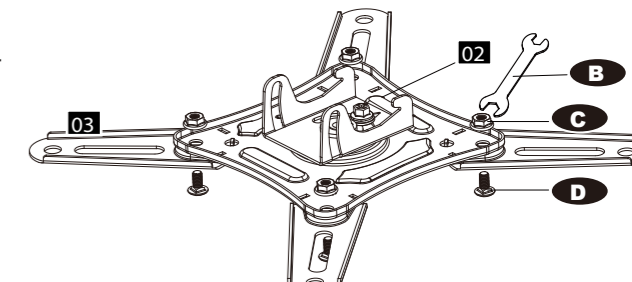


D
for VESA hole pattern:
200x100mm

4

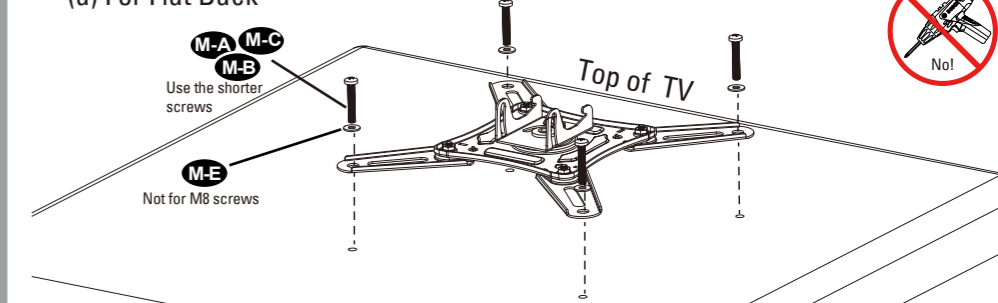
Step 3-2 Assemble monitor plate and extenders

If your TV hole pattern is greater than 100x100mm, attach extenders 03 to monitor plate 02 using Nut C and Bolt D.

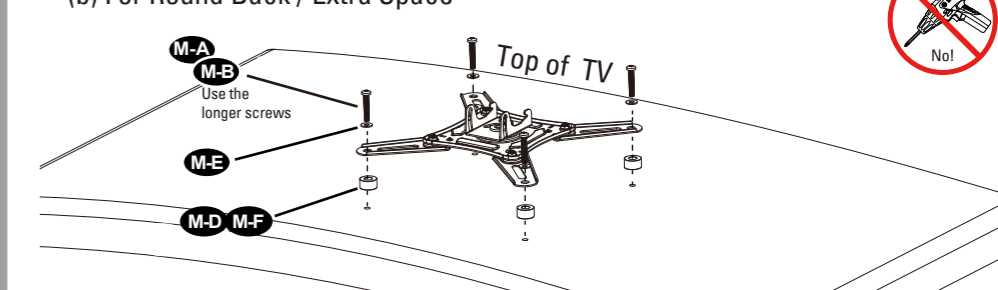


Step 3-3 Attach the brackets

(a) For Flat Back



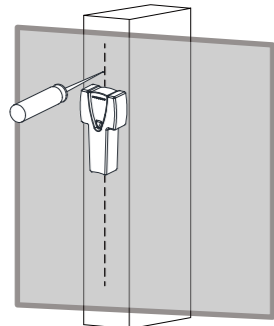
(b) For Round Back / Extra Space



5

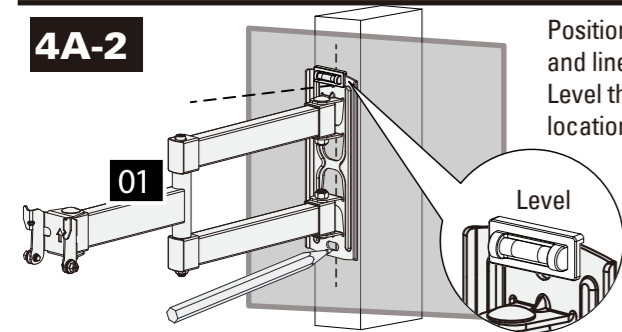
Step 4A Wall plate installation (wood stud)

4A-1



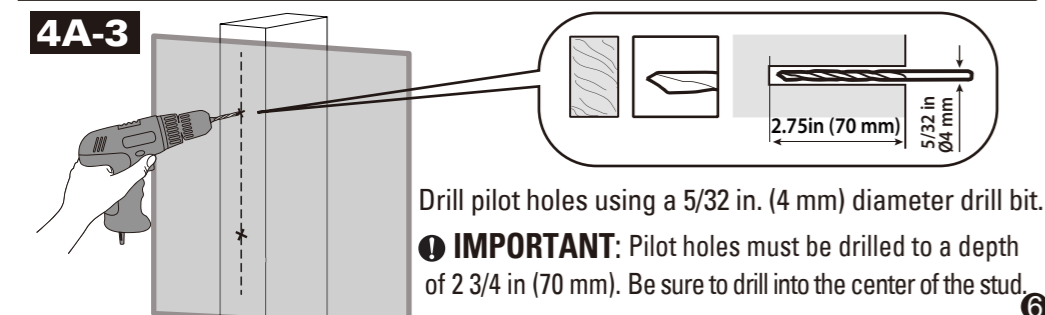
Locate your studs. Verify and mark the center of the stud by finding the stud edges using an awl, a thin nail, or an edge-to-edge stud finder.

4A-2



Position the wall plate **01** at your desired height and line up the holes with your stud center line. Level the wall plate and mark the pilot hole locations x2.

4A-3

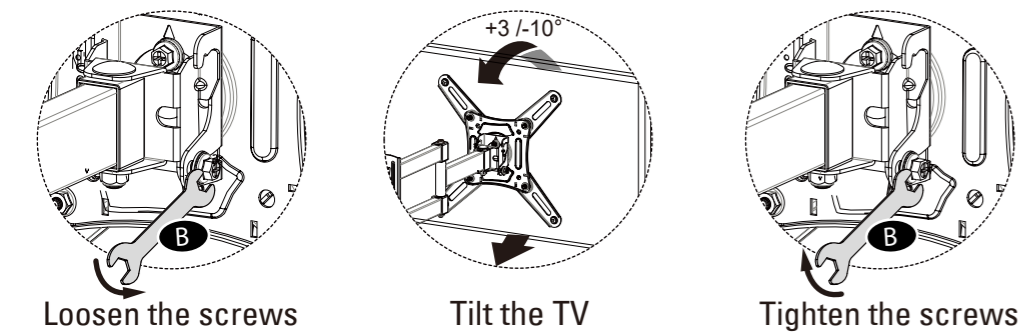


Drill pilot holes using a 5/32 in. (4 mm) diameter drill bit.
IMPORTANT: Pilot holes must be drilled to a depth of 2 3/4 in (70 mm). Be sure to drill into the center of the stud.

Adjustments

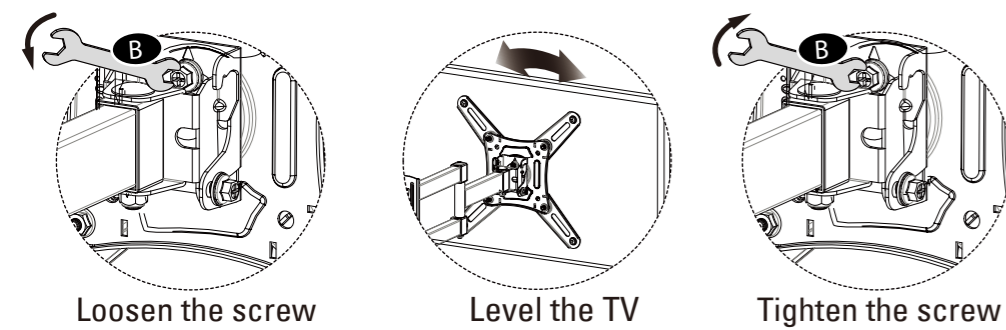
Tilting adjustment (+3° / -10°)

Adjust TV to your desired angle then fasten tilting screws with open-end wrench.

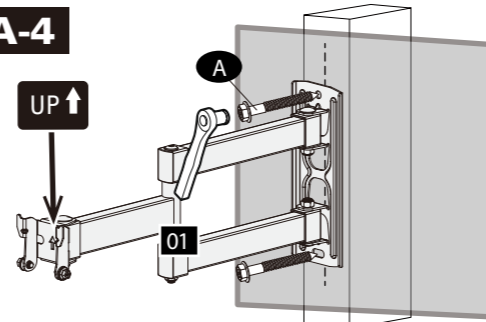


Leveling adjustment

If needed, TV can be leveled via adjusting the screw with the open-end wrench **B** or screwdriver.



4A-4

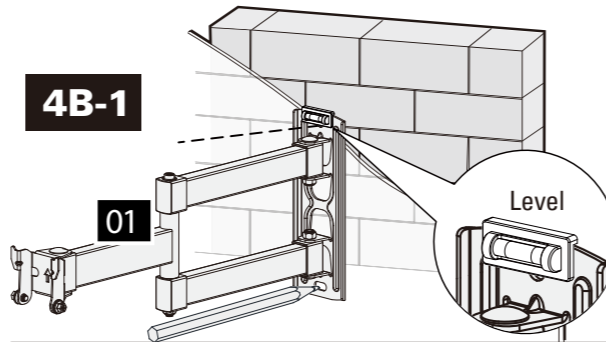


Install wall plate **01** using lag bolts **A** with **Socket Wrench, NO Electrodrill**. Tighten the lag bolts **A** until they are pulled firmly against the wall plate **01**.



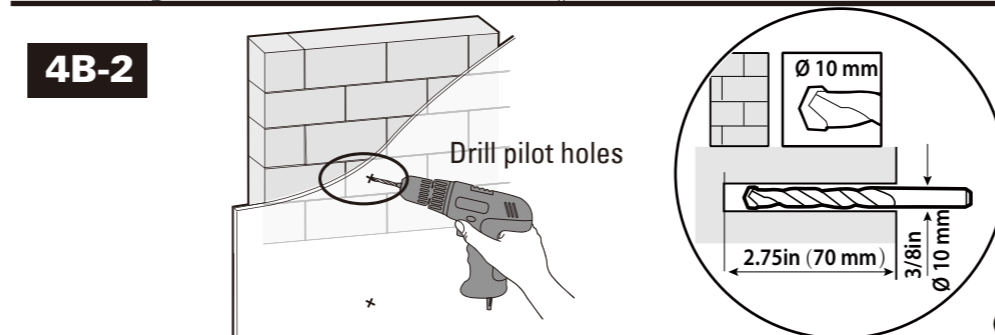
Step 4B Wall plate installation (concrete or brick)

4B-1



Position the wall plate **01** at your desired height, level the wall plate and mark the pilot hole locations x2.

4B-2

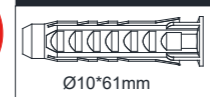


Drill pilot holes

4B-3

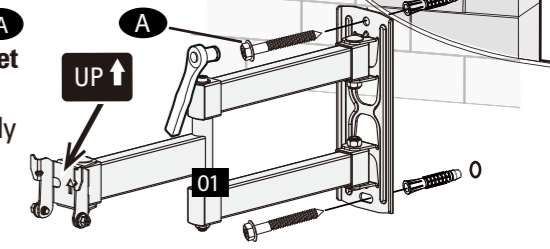


Concrete wall anchor 2pcs (NOT INCLUDED)



Contact us to have these additional pieces shipped directly to you.

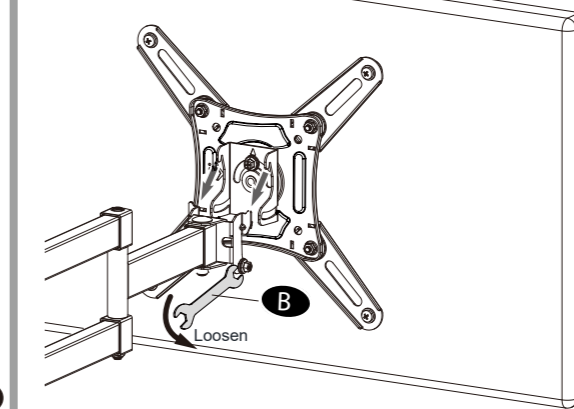
Install wall plate **01** using lag bolts **A** and anchors (not included) with **Socket Wrench, NO Electrodrill**. Tighten the lag bolts **A** until they are pulled firmly against the wall plate **01**.



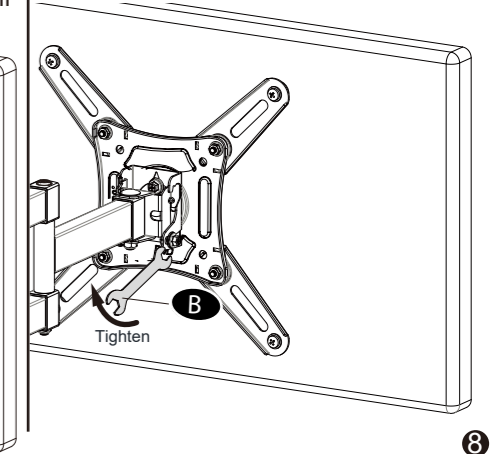
Step 5 Lift and hang TV with brackets onto wall bracket

5-1 Remove 2 preassembled screws and washers before hanging TV on to the wall bracket, and save them for using to next step.

5-2 Lift and hang TV assembly onto arm and wall plate.

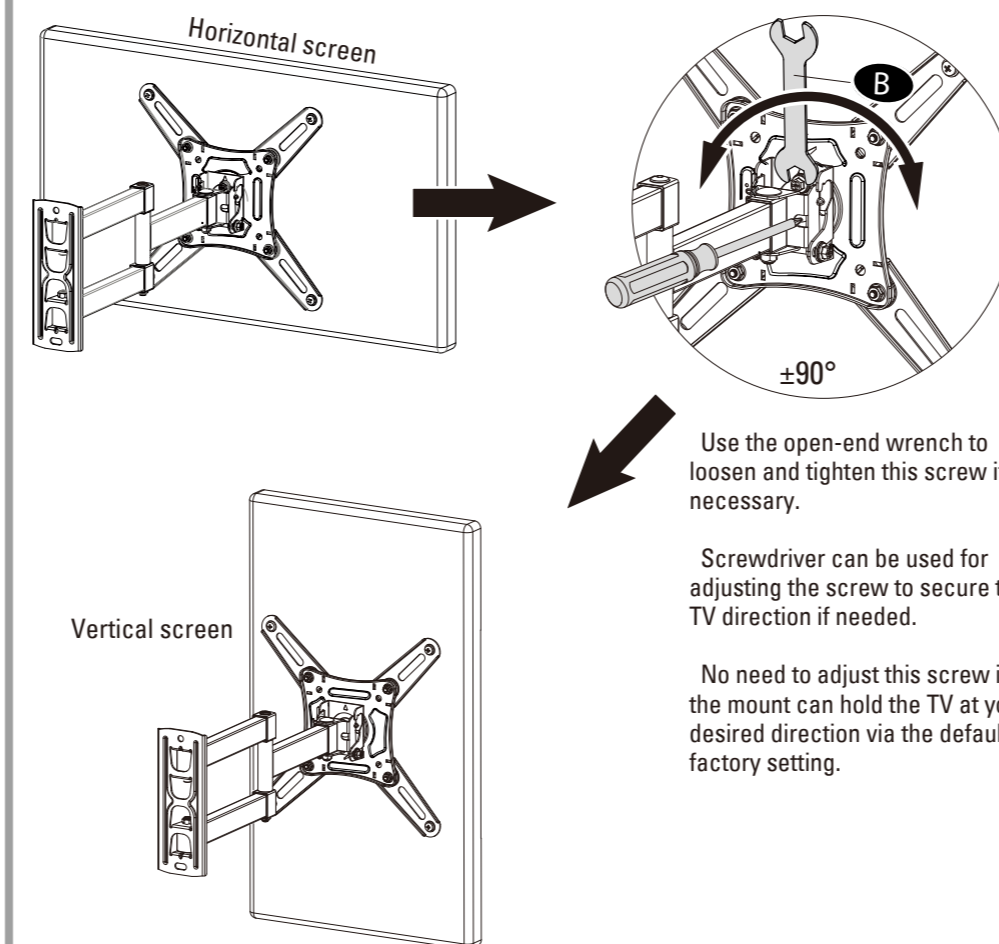


5-3 Secure the monitor plate to the arm and wall plate with the removed screws and washers from the previous step.



Switch screen horizontally and vertically

If needed, the TV can be rotated ±90 degrees for switching screen between horizontally and vertically.



Use the open-end wrench to loosen and tighten this screw if necessary.

Screwdriver can be used for adjusting the screw to secure the TV direction if needed.

No need to adjust this screw if the mount can hold the TV at your desired direction via the default factory setting.

Product dimensions:

